

BM180^{MkII} MODULAR BENCH FOR LARGE FORMAT TILES

MADE IN ITALY



394MA RAI

PACKAGE



"BM180^{MkII}" with folding legs/transport position



2 "BM180^{MkII}" combined



- BM180^{MkII} is the ideal table for cutting and processing large format slabs.
- Worktop dimensions: single table 180 x 90 cm (3'x6'); two combined tables 360x90 cm (11.8'x2.9').
- Thanks to the range of dedicated extensions (accessories) and the possibility to combine two BM180^{MkII} together, the worktop can extend up to 420 cm (13.8') or even more if needed, passing through intermediate measures such as 360 cm (11.8'), 270 cm (8.9') and 240 cm (7.9'). Width can reach up to 150 cm. All these combinations make the BM180^{MkII} perfect for tiles of any dimension.
- Being the anodized aluminum profiles (which make up the worktop) spaced and movable, it is possible to perform cuts with angle grinder and diamond blade without damaging them. Moreover,

- the special tile-support-cylinders (available as an accessory) create a gap between the tile and the worktop allowing to perform cuts with angle grinders in every direction without damaging the bench.
- Legs provided with adjustable feet for perfect leveling of the bench.
- The steel structure and the worktop made of anodized aluminum profiles assure maximum strength and stability.
- Height: 83 cm (32 3/4"). Maximum load capacity (single table): 150 Kg (331 lbs.).
- Wide range of dedicated accessories available.

SPECIFICATIONS AND VERSIONS

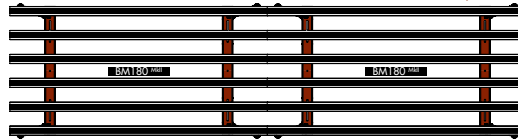
| Part No. | | | Description | | | | | |
|-----------|---------------|---|---|-------|----------|-----------------------------------|------------------------------------|------------------|
| 394MA RAI | 8050532000995 | 1 | BM180 ^{MkII} modular bench with folding legs | 29 Kg | 63.9 lbs | 190x21x h 10 cm + 117x20x h 20 cm | 75"x 8 1/4" x 3 1/2" + 46"x8"xh 8" | 30,9 Kg 68.1 lbs |



180x90 cm | 5.9'x3'



360x90 cm | 11.8'x3'



TOOLS FOR LARGE FORMAT TILES

MADE IN ITALY

NEW

min: 100 cm
max: 150 cm



PACKAGE

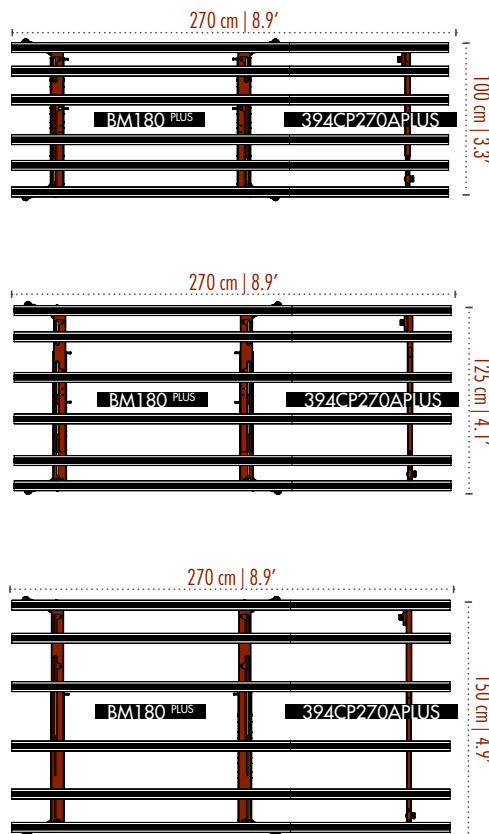
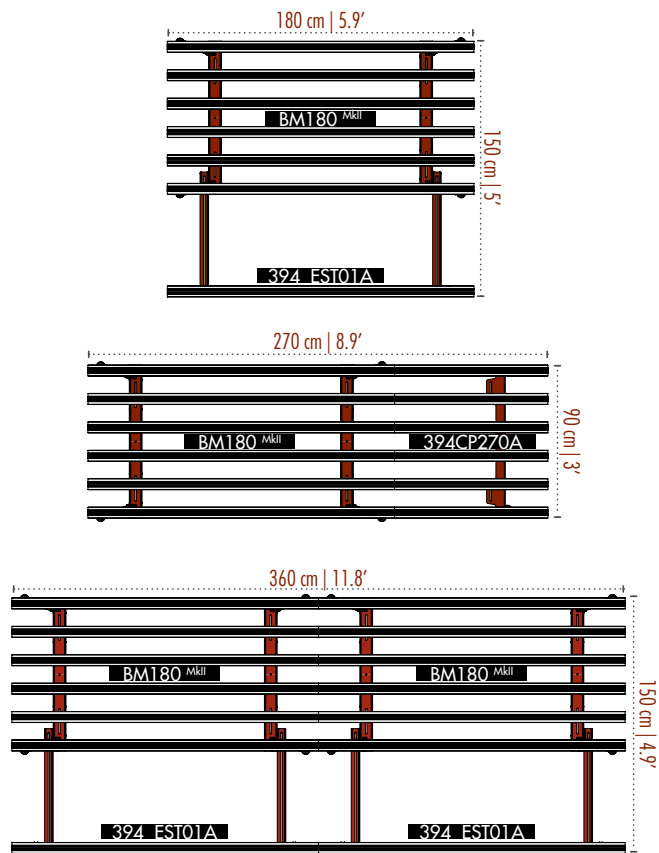


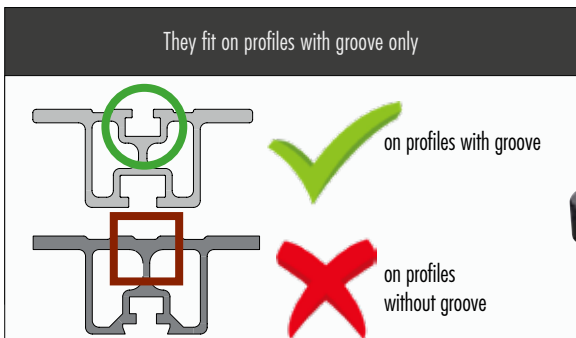
SPECIFICATIONS AND VERSIONS

| Part No. | Barcode | Description | BM180 ^{MkII} | BM180 ^{PLUS} | Weight | Dimensions | Dimensions | Weight |
|----------------|---------------|--|-----------------------|-----------------------|--------------------|----------------|-----------------------|--------------------|
| 394CP270A | 8050532005136 | Side extension complete w/6 aluminum profiles and folding legs to lengthen the bench of 90 cm (35 1/2") - tot. 270 cm (8.9') | • | – | 11,6 Kg / 25.6 lbs | 117x20x h20 cm | 46"x8"x h 8" | 12,5 Kg / 27.5 lbs |
| 394CP270A PLUS | 8050532000599 | Telescopic extension (100-150 cm) to lengthen the bench of 90 cm (35 1/2") - tot. 270 cm (8.9') | – | • | 6,2 Kg / 13.7 lbs | 140x14xh 8 cm | 55 1/8"x 5 1/2" xh 3" | 7,2 Kg / 15.9 lbs |
| 394EST 01A | 8050532000124 | Telescopic extension to widen the bench up to 60cm - 23 5/8" (tot. width 150 cm - 4.9') | • | – | 8,2 Kg / 18.1 lbs | 190x Ø17 cm | 46" x Ø 8" | 10,2 Kg / 22.5 lbs |

ACHIEVABLE WORKTOP DIMENSIONS WITH TWO BM180 ^{MkII} AND EXTENSIONS

EXAMPLE OF ACHIEVABLE WORKTOP DIMENSIONS WITH BM180 ^{PLUS} AND EXTENSION





PACKAGE



KIT OF 20 TILE-SUPPORT CYLINDERS TO PERFORM CUT WITH ANGLE GRINDER ON BM180^{MkII} AND BM180^{PLUS} TABLES

- To perform with ease cuts with angle grinder (even l-shaped and/or squares holes) on tiles up to 160x320 cm (5.3'x11.9') in any direction.
- One kit consists of 20 polypropylene supports (h56 mm - Ø 60 mm | h2.2" - Ø 2.4") that once inserted along the aluminum profiles, supports the tile and creates a gap between it and the worktop. This allows to perform cuts with angle grinders in any direction without damaging the bench.
- The possibility to freely positioning the cylinders at any point on the worktop allows to choose their layout according to the tile dimension and the kind of cut to be done. Even in the most difficult situations and for the most complex cuts.
- Inserting and fixing is extremely easy and fast: just insert the screw underneath each cylinder into the dedicated slot of each aluminum profiles (which made up the worktop) and slide the supports in the desired position. Slightly rotate the cylinders to fix them.
- Its design and the premium quality polymer they are built with make the cylinders extremely sturdy. They are designed to support tiles of any weight and to last potentially forever.
- The supports are compatible with both BM180^{MkII} and BM180^{PLUS} as well as previous versions if equipped with top-grooved aluminum profiles.
- The supports do not preclude the use of the wide range of accessories dedicated to BM180 tables nor the use of POWER-RAIZOR both in combination with water-cut kit (Art.433PWWA) and/or the dust suppression device for dry cut (Art.433PWZPA).

SPECIFICATIONS AND VERSIONS KIT TILE-SUPPORT CYLINDERS

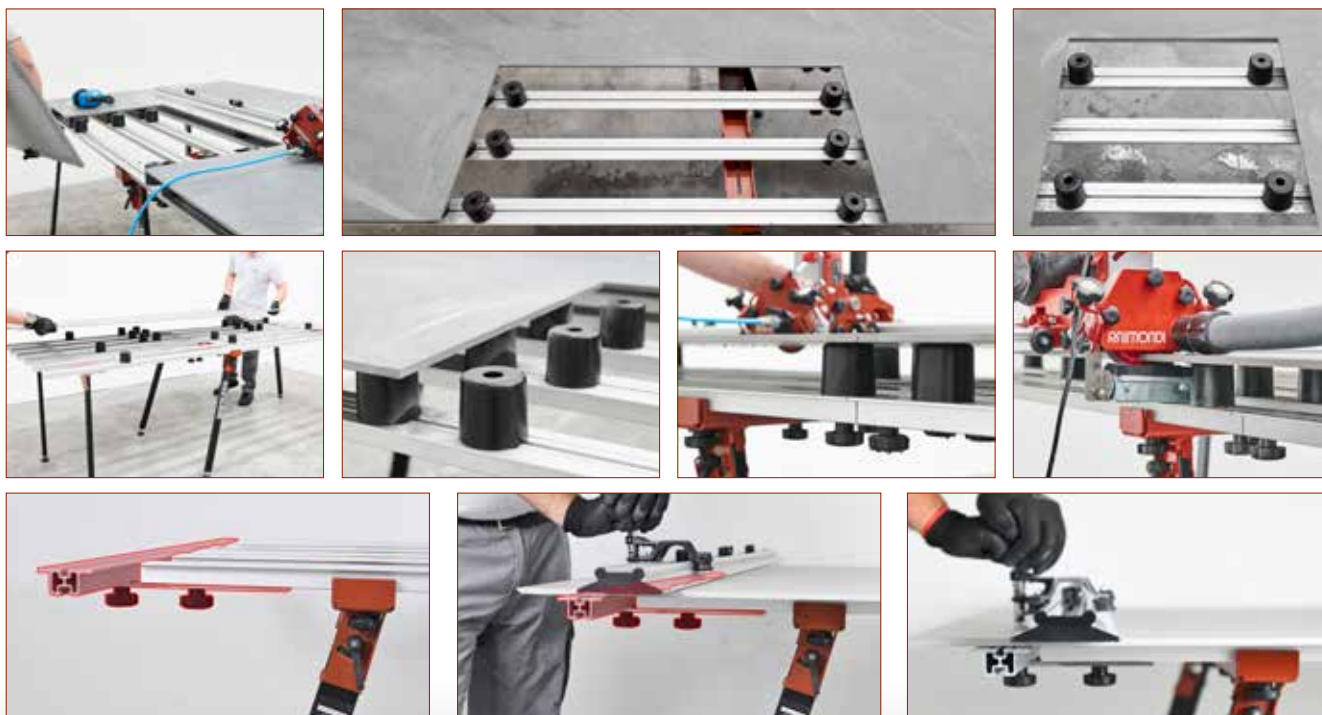
| Part No. | Barcode | Box | Description | BM180 MkII | BM180 PLUS | USE | Weight | Dimensions | Weight |
|-----------|---------------|-----|--|------------|------------|-------------------------|-------------------|--|-------------------|
| 394CC 01A | 8050532004207 | 1 | Kit of 20 tile-support cylinders for BM180 ^{MkII} and BM180 ^{PLUS} | • | • | on profiles with groove | 0,9 Kg 1.9 lbs | 39x39xh 15 cm 15 3/4"x15 3/4"x h 6" | 1,2 Kg 2.8 lbs |

SIDE PROFILES FOR SCORING AND CUT

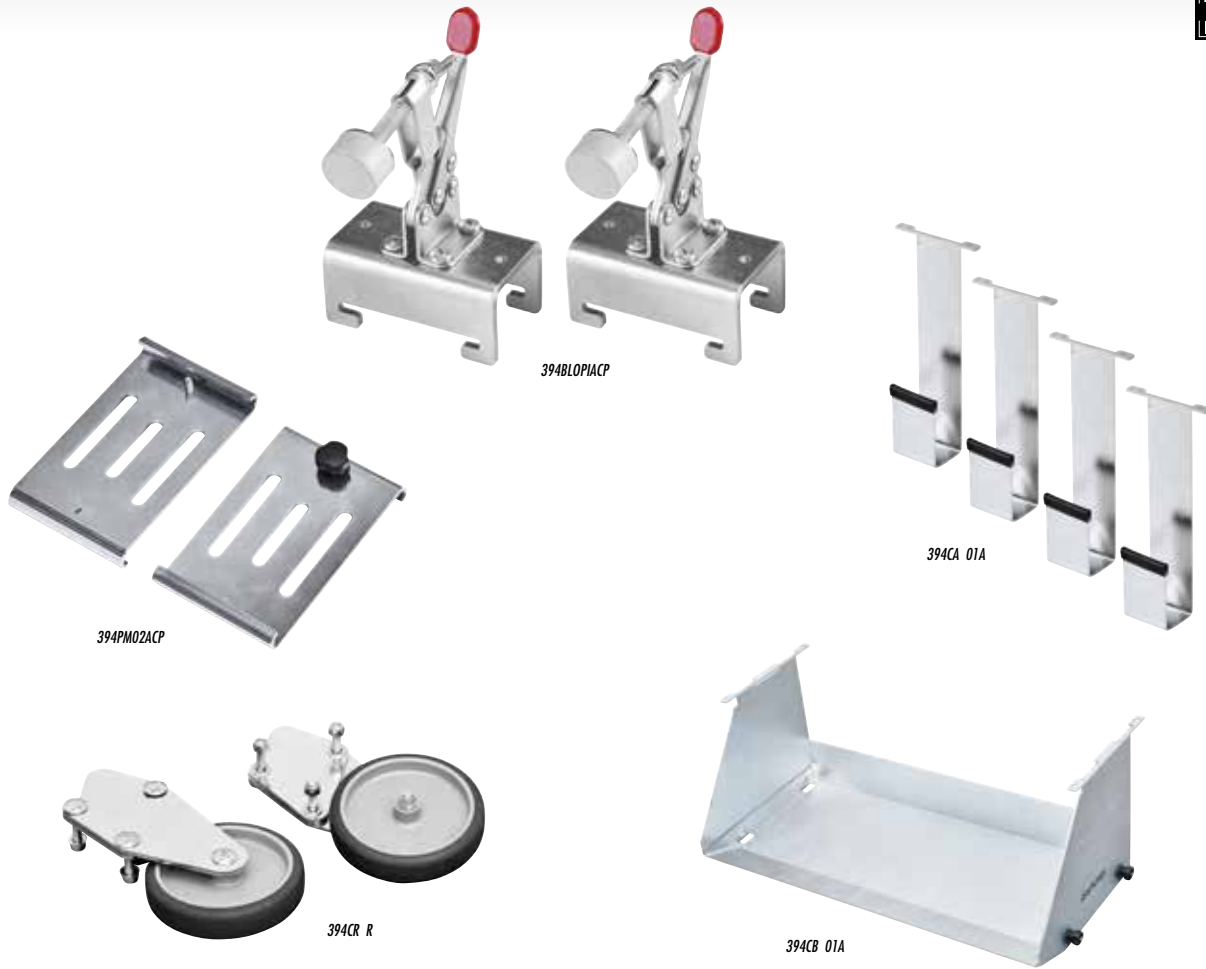
- The side profile connects to the short side of the table offering a continuous support for score & cut the short side of the tile (i.e.: cut 120 cm side of a 120x240 cm tile).
- Available in two lengths: 124 cm and 164 cm (4' and 5.4'). Therefore, suitable even for the largest tiles.
- We recommend the use of the 164 cm (5.4') version only with BM180^{PLUS}.
- Version 124 cm (4') fits on both BM180^{MkII} and BM180^{PLUS}.
- Free to slide in and out when mounted so to not interfere with operator when doesn't need them.

SPECIFICATIONS AND VERSIONS FOR SIDE PROFILES FOR SCORING AND CUT

| Part No. | Barcode | Box | Description | BM180 MkII | BM180 PLUS | Weight | Dimensions | Weight |
|------------|---------------|-----|--|------------|------------|--------|------------|--------|
| 394IS 1200 | 8050532007024 | 1 | Side profiles for scoring and cut length 124 cm (4') | • | • | - | - | - |
| 394IS 1600 | 8050532007031 | 1 | Side profiles for scoring and cut length 164 cm (5.4') | - | • | - | - | - |



TOOLS FOR LARGE FORMAT TILES



SPECIFICATIONS AND VERSIONS

| Part No. | | | Description | BM180 MkII | BM180 PLUS | | | | |
|-------------------|---------------|---|---|------------|------------|-----------------|---------------|--------------------|-----------------|
| 394BLOIACP | 8024648096678 | 1 | Stand-alone tile holder (for 3 to 30 mm thicknesses) - pair | • | • | 0,9 Kg 2 lbs | 27x15xh 10 cm | 10 5/8" x 4" xh 6" | 1 Kg 2.2 lbs |
| 394PM02ACP | 8024648096722 | 1 | Strips support - pair | • | • | 0,6 Kg 1.3 lbs | 27x15xh 10 cm | 10 5/8" x 4" xh 6" | 0,7 Kg 1.5 lbs |
| 394CR R | 8050532000940 | 1 | Wheels for legs - pair | • | • | 1,7 Kg 3.7 lbs | 27x15xh 10 cm | 10 5/8" x 4" xh 6" | 1,8 Kg 4 lbs |
| 394CA 01A | 8050532002364 | 1 | Kit of 4 lateral steel hooks for hang up the cutting guides | • | • | 0,5 Kg 1.1 lbs | 37x17xh 8 cm | 13" x 6 5/8" xh 3" | 2 Kg 4.4 lbs |
| 394CB 01A | 8050532002388 | 1 | Steelmade side tools box | • | — | 4.9 Kg 10.8 lbs | 58x28xh 23 cm | 23" x 11" xh 9" | 5,4 Kg 11.9 lbs |



TOOLS FOR LARGE FORMAT TILES